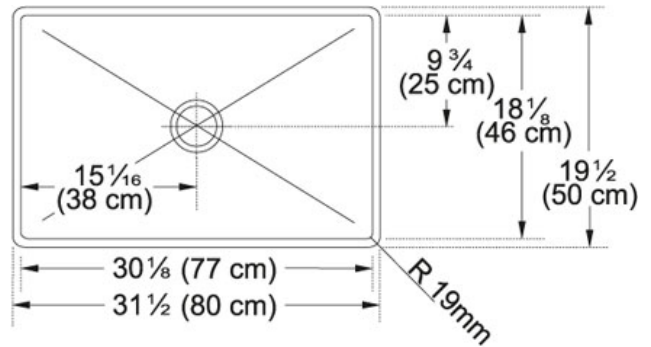


SPECIFICATION SHEET

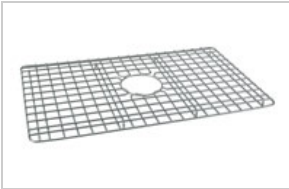
PRODUCT FAMILY: Sinks FINISH: Stainless Steel SERIES: PROFESSIONAL SERIES MODEL: PSX110309



Product Information

FUN#	122.0170.030
US Part Number	PSX110309
Minimum Cabinet Size	33"
Drain Opening	3 1/2"
Outer Dimensions	31 1/2"x19 7/8"
Bowl Size	30 1/8"x18 1/8"x9 1/16"
Number of Bowls	1
Type of Material	Stainless Steel

Accessories



112.0066.261



112.0066.291

Suggested Products



112.0006.026



112.0066.071



112.0073.918



112.0073.934



115.0068.273



119.0066.616



119.0069.099



120.0175.302



133.0178.205