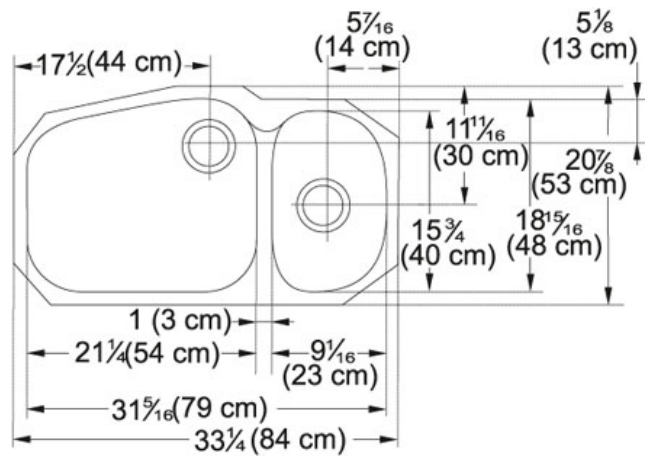


SPECIFICATION SHEET

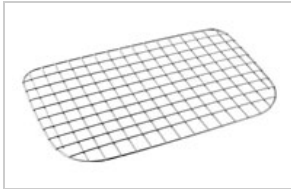
PRODUCT FAMILY: Sinks FINISH: Stainless Steel SERIES: VISION MODEL: VNX160



Product Information

FUN#	122.0035.110
US Part Number	VNX160
Franke Integral Ledge	built-in
Minimum Cabinet Size	36"
Drain Opening	3 1/2"
Outer Dimensions	33 1/4"
Bowl Size	21 1/4"x18 15/16"x9 1/16"
Small Bowl Size	9 1/16"x15 3/4"x5 1/8"
Number of Bowls	2
Type of Material	Stainless Steel
Opposite Configuration	122.0035.111

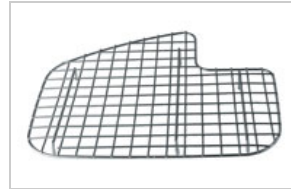
Accessories



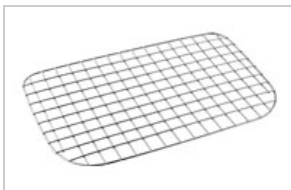
112.0039.105



112.0048.312



112.0066.268



112.0066.271

Suggested Products



112.0007.730



112.0066.071



112.0073.921



112.0073.934



119.0066.616



119.0068.282



133.0178.205