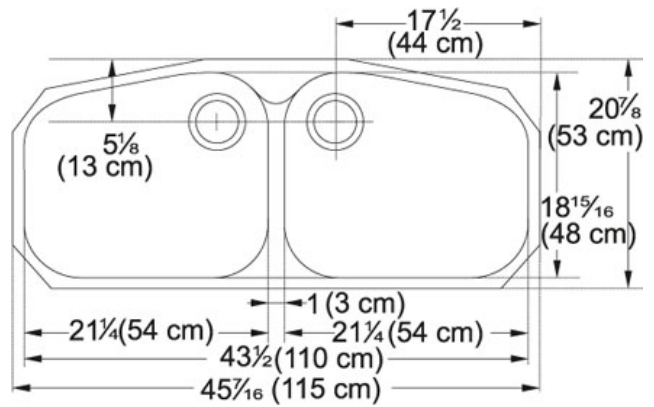


# SPECIFICATION SHEET

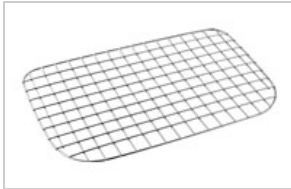
PRODUCT FAMILY: Sinks FINISH: Stainless Steel SERIES: VISION MODEL: VNX12045



## Product Information

|                              |                           |
|------------------------------|---------------------------|
| <b>FUN#</b>                  | 122.0035.109              |
| <b>US Part Number</b>        | VNX12045                  |
| <b>Franke Integral Ledge</b> | built-in                  |
| <b>Minimum Cabinet Size</b>  | 48"                       |
| <b>Drain Opening</b>         | 3 1/2"                    |
| <b>Outer Dimensions</b>      | 45 7/16"x20 7/8"          |
| <b>Bowl Size</b>             | 21 1/4"x18 15/16"x9 1/16" |
| <b>Number of Bowls</b>       | 2                         |
| <b>Type of Material</b>      | 18 ga Stainless Steel     |

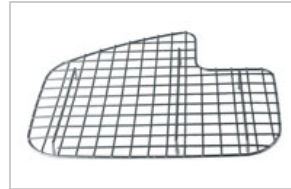
**Accessories**



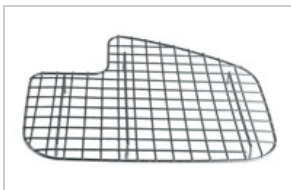
112.0039.105



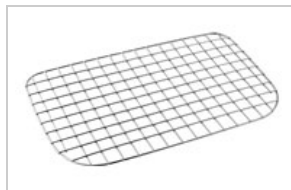
112.0048.312



112.0066.268



112.0066.269



112.0066.271

**Suggested Products**



112.0066.071



112.0073.918



112.0073.934



115.0067.274



119.0066.616



119.0069.102



133.0178.205