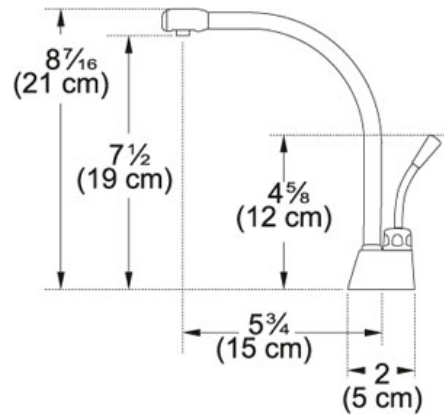


# SPECIFICATION SHEET

PRODUCT FAMILY: Point of Use and Filtration FINISH: Polished Chrome SERIES: HOT WATER DISPENSER MODEL: LB1100



## Product Information

<b>FUN#</b>	119.0175.306
<b>US Part Number</b>	LB1100
	Hot Water Dispenser

**Suggested Products**



119.0066.616